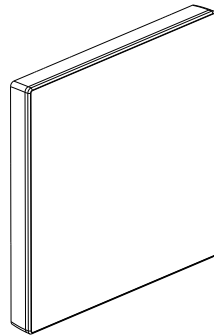


# Galion™ Blank

Cat. No(s): 2 824 70/70m



2 824 70/70m

### CONTENTS

- 1. Use.....1
- 2. Range.....1
- 3. Preparation.....1
- 4. Overall dimensions.....1
- 5. Technical characteristics.....2
- 6. Cleaning.....2
- 7. Conformity - Approvals.....2

## 1. USE

Decoration and reserve for future use.  
(Supplied with M3.5 screws for BS boxes. Flush mounting or Surface mounting.)

## 2. RANGE

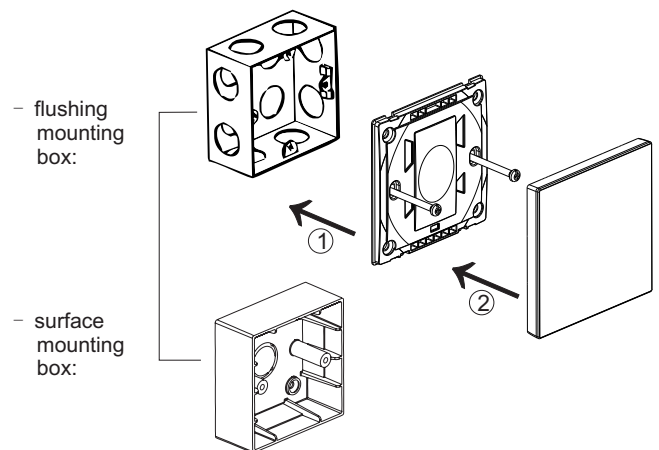
	Designation	Cat. No.	Weight (g)	Characteristics
	Blank	2 824 70/70m	47	

### Colours

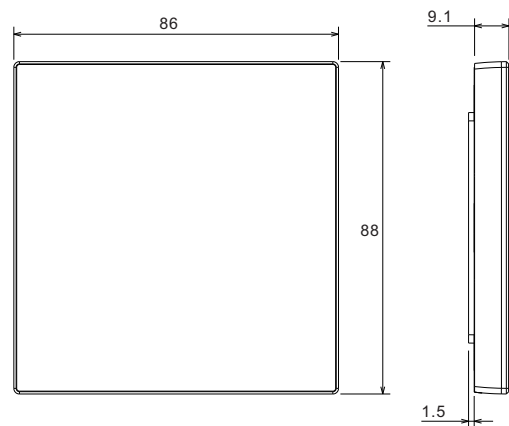
- front: white/rose golden/champagne/dark silver
- rear: white/rose golden/champagne/dark silver
- X XXX XX white
- X XXX XX-C matt black
- X XXX XX-C1 rose golden
- X XXX XX-C2 champagne
- X XXX XX-C3 dark silver

## 3. PREPARATION

### 3.1 General preparation



## 4. OVERALL DIMENSIONS



Profile Size: 86×88 mm  
Distance of installation hole: 60.3 mm

## 5. TECHNICAL CHARACTERISTICS

### 5.1 Material characteristics

Rocker: Polycarbonate

Frame: Polycarbonate

Base: Polyamide

Self-extinguishing:

+ 850° C / 30 s for insulating parts holding live parts in place

+ 650° C / 30 s for other parts made of insulating materials

### 5.2 Climatic characteristics

Storage temperatures: -10°C to +70°C

Operating temperatures: -5°C to +50°C

### 5.3 Mechanical characteristics

Impact test: Ik04

Protection against liquids: Ip20

## 6. CLEANING

Surface cleaning with a soft, slightly damp cloth.

Do not use: acetone, tar remover, trichloroethylene

## 7. CONFORMITY - APPROVALS

Conform to IEC 60670-1.